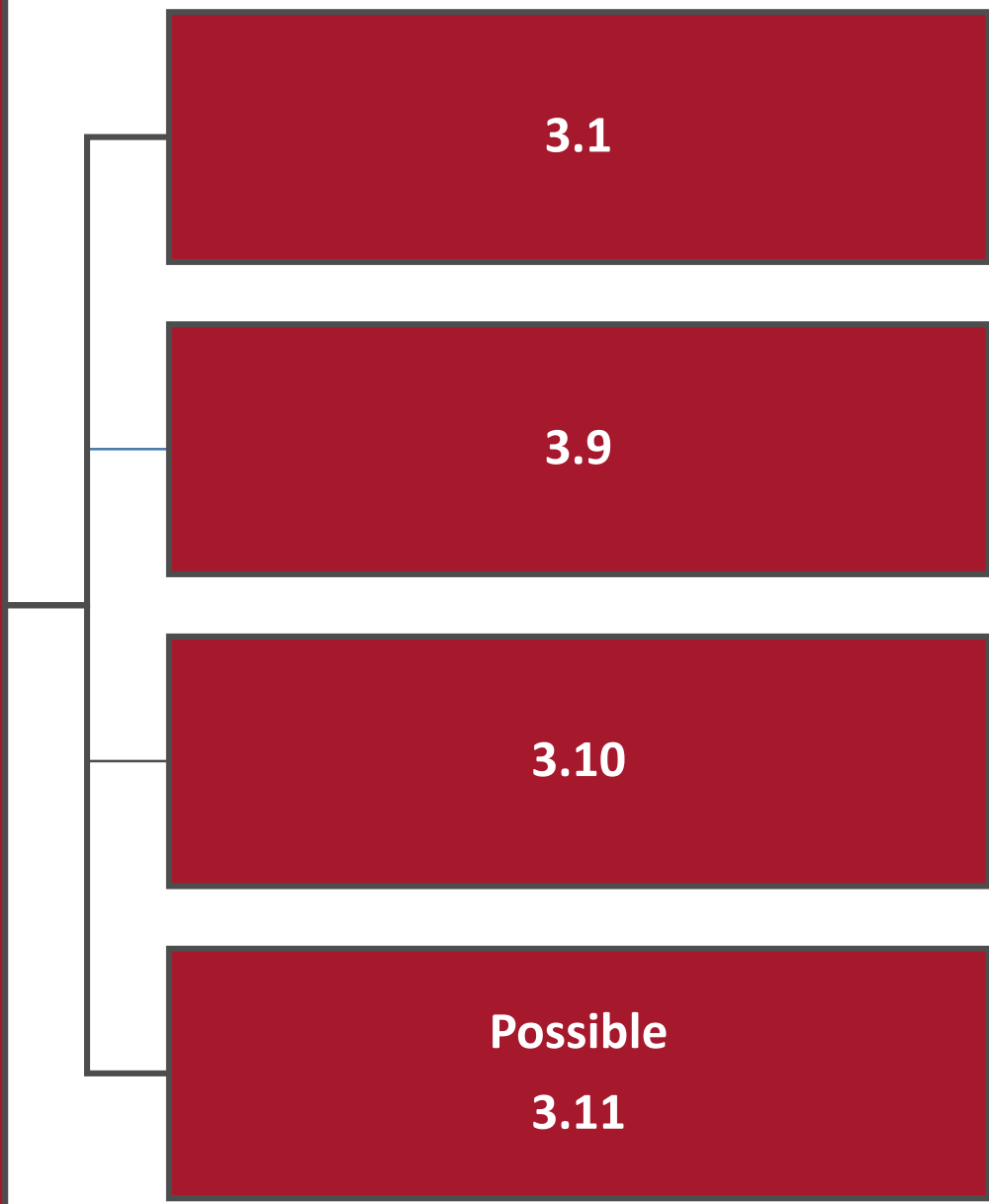
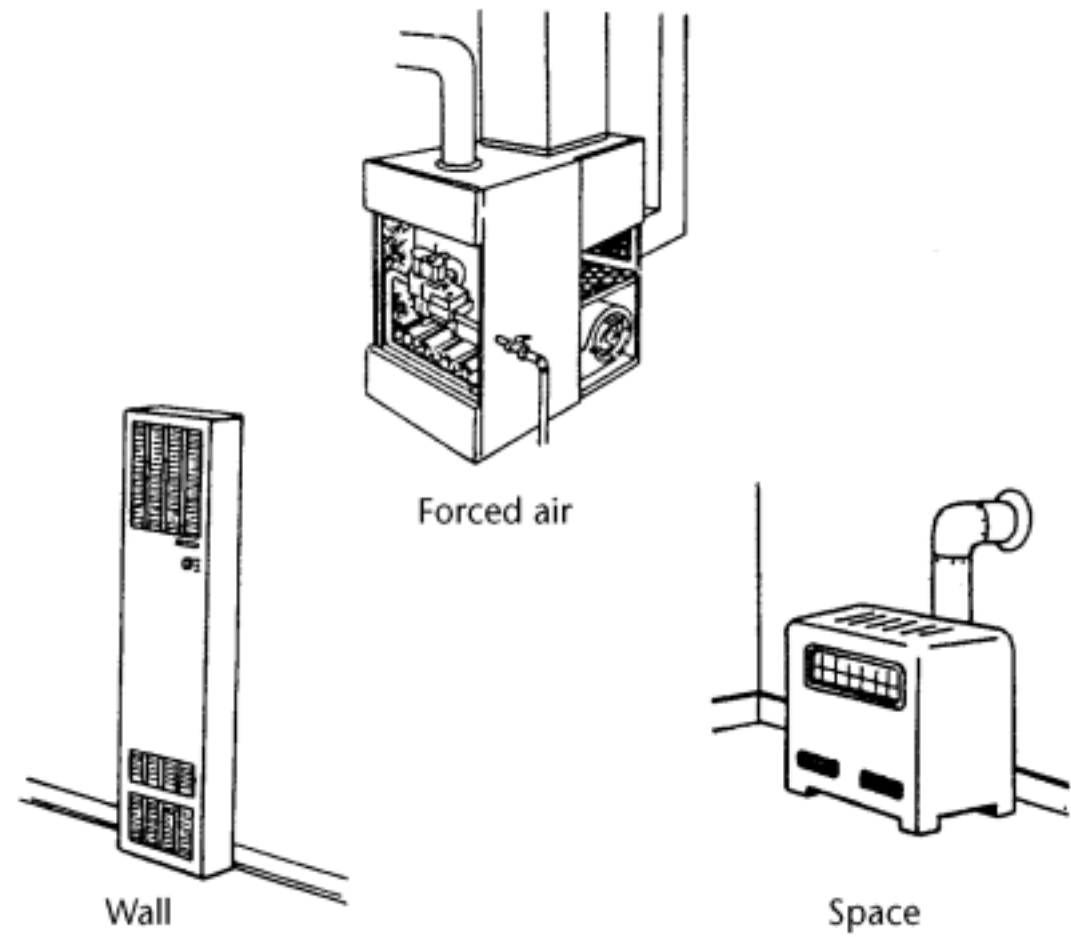


# Energy Equalization Option 1

## HVAC Selection Available



### Combustion Heating Systems



# Energy Equalization Option 2

## HVAC Selection Available

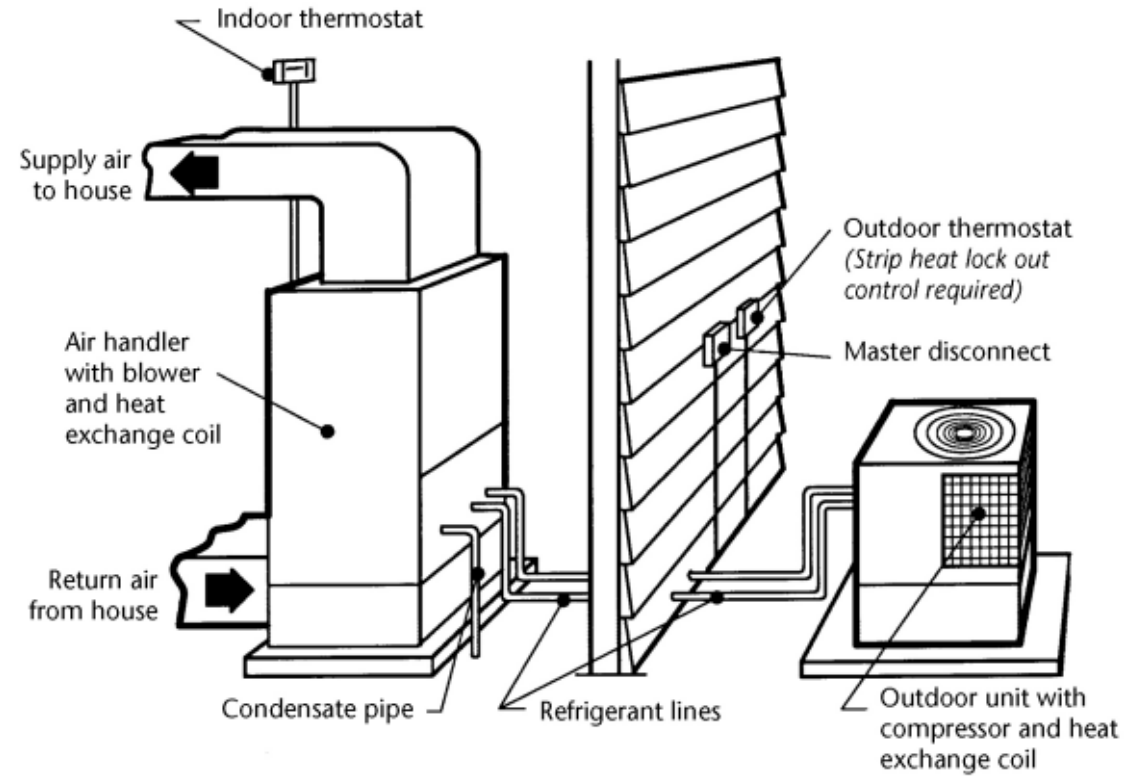
3.2

Possibly

3.11

Need Clarification on Errata.

Figure 7-3  
**Split Package Heat Pump Options  
Ducted**

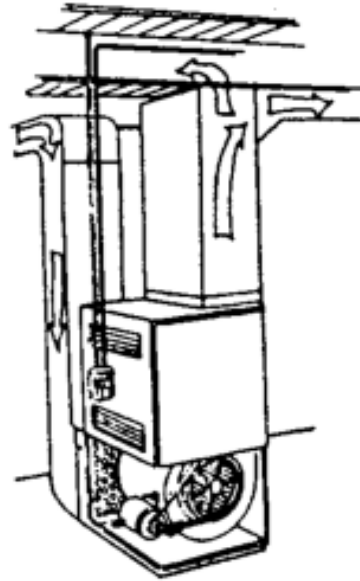


Energy Equalization Option 3

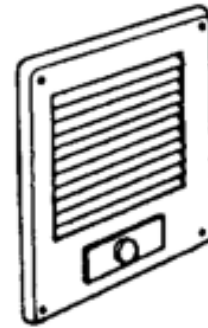
HVAC Selection Available

N/A

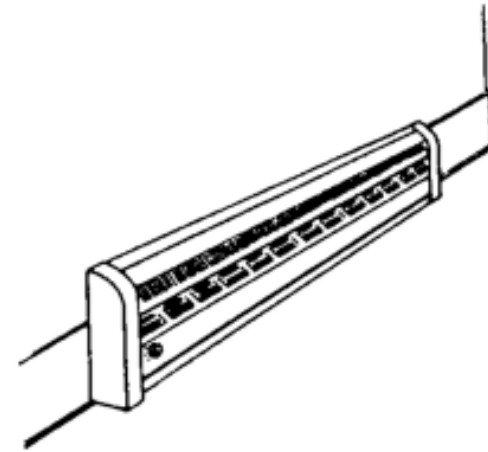
### Electric Resistance Heating Systems



Forced air

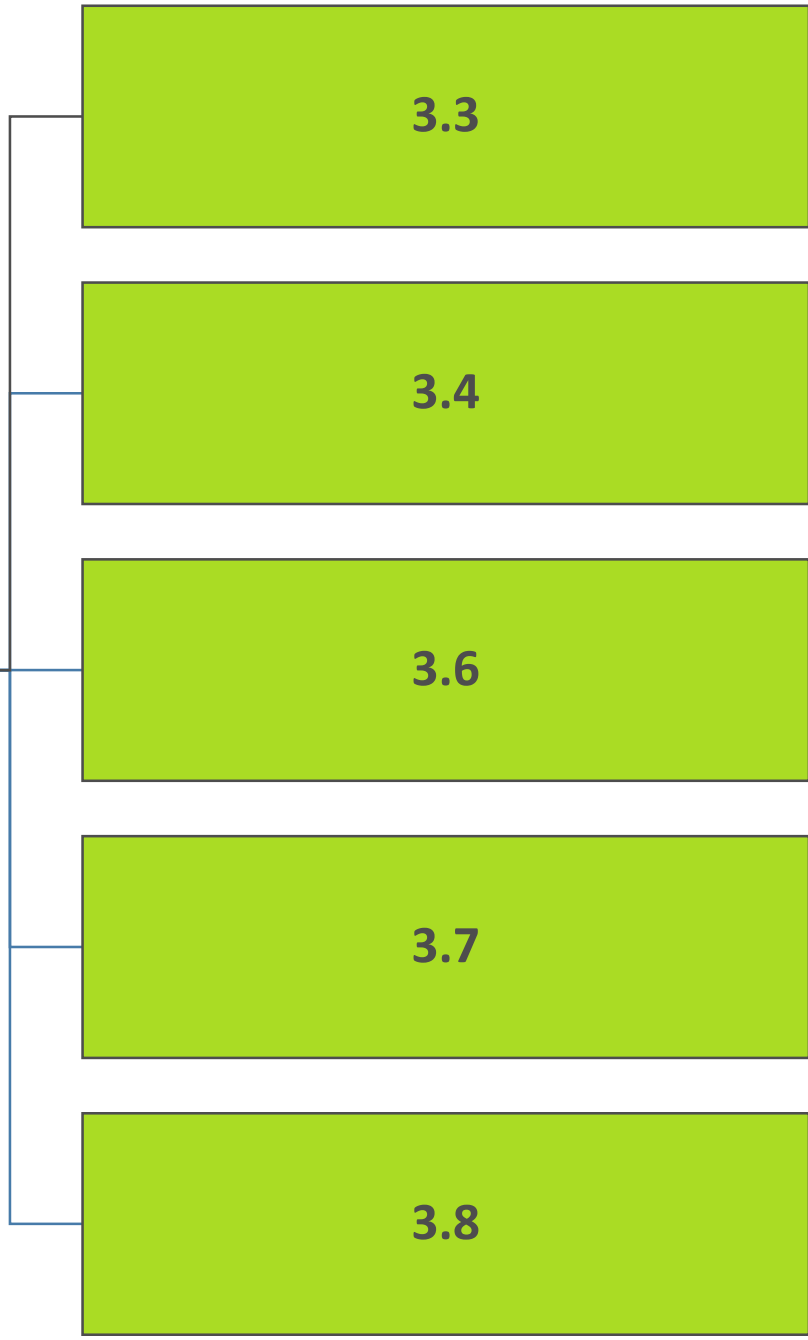


Wall

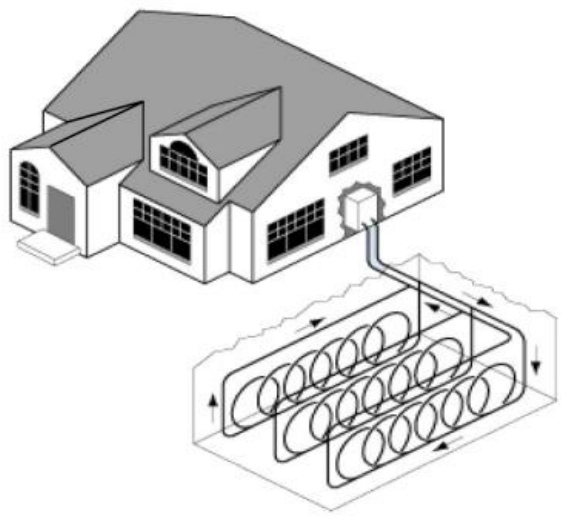


Baseboard

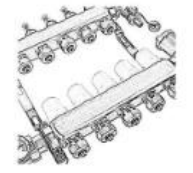
Energy Equalization Option 4  
 HVAC Selection Available



**Ground Source Closed Loop System**  
 From EERE.ENERGY.GOV

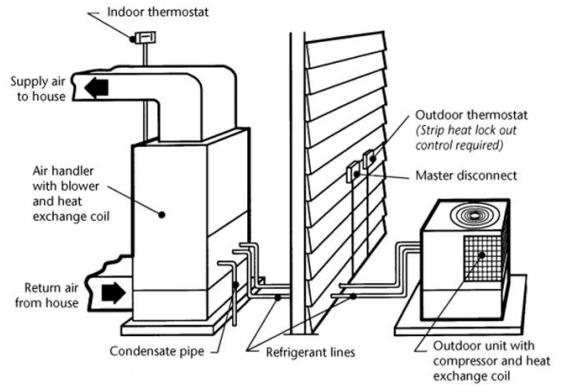


Cold Climate Heating & Cooling Heat Pump



Hydronic Distribution  
 Source: Artic Heat Pumps

**Ductless**

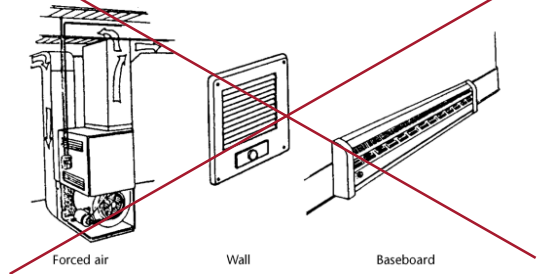


Air handler with blower and heat exchange coil



Outdoor unit with compressor and heat exchange coil

**Electric Resistance Heating Systems**



See footnote A

# Energy Equalization Option 5 HVAC Selection Available

3.5

## Ductless



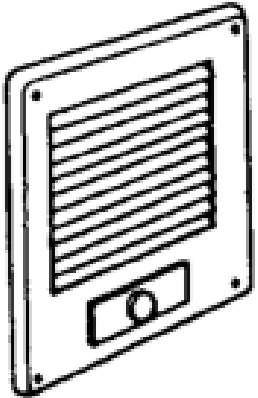
Air handler with blower and heat exchange coil



Outdoor unit with compressor and heat exchange coil



Wall



Baseboard

